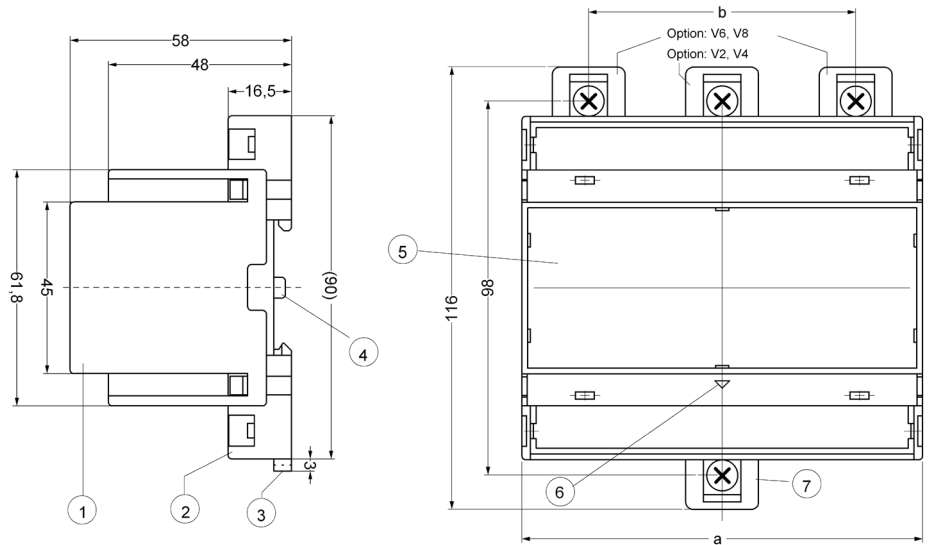


### Housing Design V

Material:  
Polyamid PA 66  
Front plate Polycarbonat

Switchboard mount  
V2, V4, V6, V8:  
Mounting height 55 mm



Maß a:  
V2: 35 mm = 2 TE  
V4: 70 mm = 4 TE  
V6: 105 mm = 6 TE  
V8: 140 mm = 8 TE

Maß b:  
V6: 70 mm  
V8: 105 mm

### Installation frame ER4, ER6, ER8

Material:  
Frontplate: anodized aluminum  
Mounting material: steel

For mounting in control panels or in  
the door of a control cabinet  
for housings for cabinet mount  
4 TE, 6 TE, 8 TE

Maximum wall thickness 8 mm

