

PTC-Resistor-Relay Type MS(R)220K

Single PTC-Circuit

MS220K



The MS220K is a particularly economical standard design in a 22,5 mm wide housing with vertically arranged terminals. Each terminal remains accessible even if all others are already occupied.

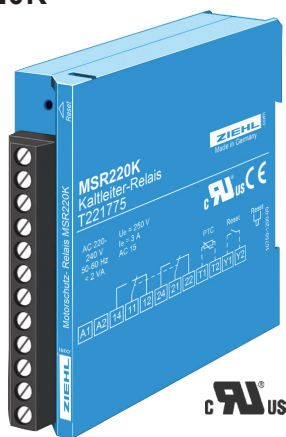
- 1 PTC resistor set 1... 6 PTC resistors, or bimetal contacts
- output relay with 1 or 2 change-over (co) contacts
- 2 LEDs for ON and ALARM
- K-type housing, vertically arranged terminals, 22,5 mm wide

- assembly on 35 mm DIN rail or with 2 screws M4 (option)
- UL Recognized Component
- Option:

Part numbers:

1 CO	2 CO	
T221745	T221765	AC 220-240 V
T221741	T221761	AC/DC 24 V
T221743		AC 110-120 V
1 CO / 1 NO		
T221749		AC/DC 24-240 V

MSR220K

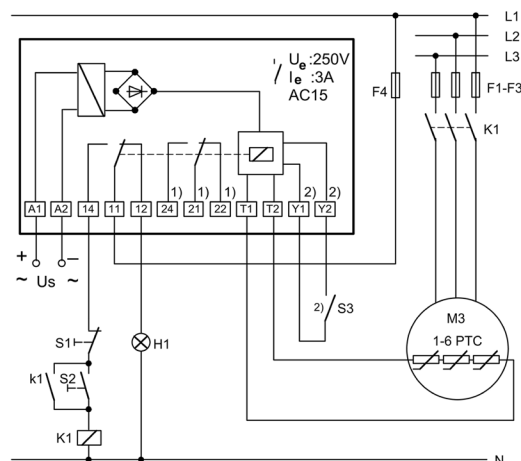


Same execution as MS220K, additionally with electronic reclosing lock. A switching is stored until a RESET.

- electronic reclosing lock (disconnectable)
- integrated RESET-button
- link for external RESET
- automatic RESET at voltage recovery
- LEDs for power ON (green) and alarm (red) in reset-button
- UL Recognized Component
- Option: other supply-voltages

Part numbers:

2 CO	
T221775	AC 220-240 V
T221771	AC/DC 24 V



Us = supply voltage
 S1 = pushbutton OFF
 S2 = pushbutton ON
 S3 = external reset
 H1 = trip alarm

F1 - F4 = fuses
 K1 = contactor
 1) only versions with 2xCO
 2) only MSR

Technical Data

Rated supply voltage Us

AC 110 - 120 V, 220 - 240 V, ± 10 %, 50/60 Hz, ≤2 VA
 AC/DC 24 V, AC ± 10 % DC 21-30 V < 2 VA, without potential separation
 AC/DC 24-240 V, AC 14-264 V, DC 20-297 V < 2 VA
 1... 6 PTC according to DIN 44 081 or 44 082 or bimetal contacts (Klixon)
 <4000 Ω
 1 or 2 change-over contacts (co)
 type 2 see "general technical information"
 see "general technical information"
 -20...+55 °C

connectable PTC resistors

switching point
 output relay
 type of contact
 test conditions
 rated ambient temperature range
 dimensions (h x w x d) attachment

design K: 75 x 22.5 x 110 [mm]
 on 35 mm DIN rail according to DIN EN 50 022 or with screws M4 (option)
 IP 30 / IP 20
 approx. 150 g

protection housing / terminals weight