

PTC-Resistor-Relay Type MSF220VL

for Dry-Transformers, Fan, Warning, Trip Winding and Trip Core

MSF220VL



CE US

Part numbers:

T221674 AC/DC24-240 V

T224384 ER4

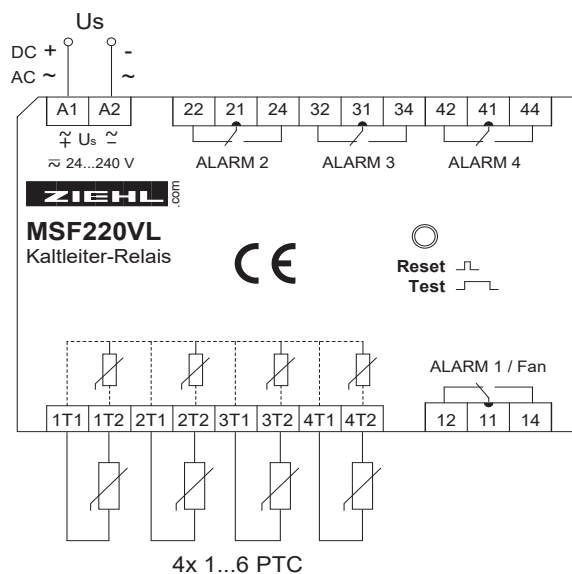


The MSF220VL is particularly suitable for monitoring of temperatures at dry transformers, when also the temperature of the core shall be measured. Monitoring of core temperature is especially required in rectifier transformers because of harmonics causing heat in the core. An intelligent control prolongs automatically the runtime of a cooling-fan, depending on the load of the transformer. Each PTC-circuit is monitored for break and short circuit. This reduces probability of false alarms. Relays in operating-current mode prevent from a trip-signal when switching on supply voltage.

The device can be adapted to different applications with 4 programs:

- 1.) Fan-control - alarm - trip (winding) - trip (core)
- 2.) Alarm - trip (winding) - trip (core) - alarm (fault)
- 3.) Fan-control - alarm - trip (winding) - alarm (fault)
- 4.) Fan-control with hysteresis T1/T2 - alarm - trip (winding) - time relay

- 4 inputs for PTC Intelligent control of fan
- Automatic fan-test 1x / week
- electronic reclosing lock for alarms (trip) connectable
- Monitoring of sensors
- Test-button
- Simple testing with disconnectable monitoring of break and short circuit (for 10 minutes)
- LEDs for alarms, states of relays and sensors
- Housing for mounting on DIN-Rail or wall-mount (option)
- Mounting height 55 mm
- Universal supply voltage AC/DC 24-240 V
- DEWA-standard for Dubai
- Accessory: [Installation frame ER4 for panel mount](#)



Technical Data

Rated supply voltage U_s

AC/DC 24 - 240 V $\pm 15\%$, < 5 VA

Connectable PTC resistors

4 x 1... 6 PTC according to DIN 44 081 or 44 082 < 4000 Ω

Switching point

4 x 1 change-over contacts

Output relays

Type 2 see "general technical information"

Type of contact

see "general technical information"

Test conditions

-20... +60 $^{\circ}\text{C}$

Rated ambient temperature range

Housing / Installation Frame

Design V4 / Front mounting kit type ER4

Dimensions (h x w x d)

90 x 70 x 58 [mm]

Attachment

on 35 mm DIN rail according to DIN EN 50 022 or with screws M4

Protection housing / terminals

IP 30 / IP 20

Weight

approx. 185 g